

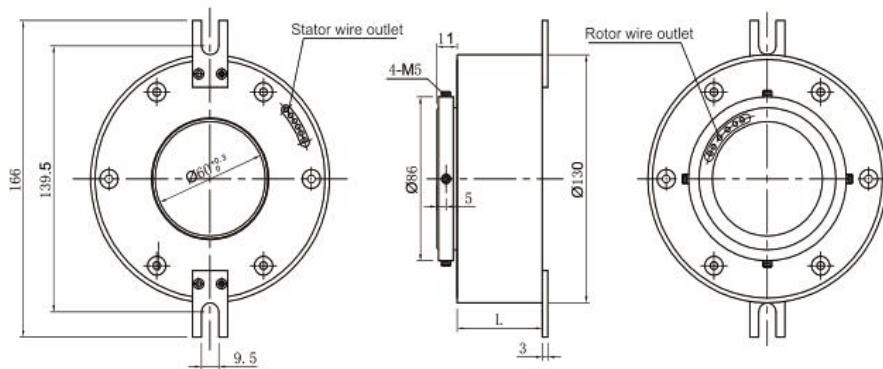
DHK060 Series-----Through Bore Slip Ring

DHK060 Description:

DHK060 product with through bore 60 mm, OD 130mm, suitable for rotating application, support 1-42 ring, signal (2A-20A/ring).



DHK060 2D Standard Drawing :



DHK060 Technical Parameters:

| Product Grade Table | | | |
|---------------------------------|----------------------|-----------------------------|-----------------|
| Product grade | Working speed | Working life | |
| General | 0 ~ 200 rpm | 20 million revolutions | |
| Industrial | 300 ~ 1000rpm | 60 million revolutions | |
| Technical Parameters | | | |
| Electrical technical | | Mechanical technical | |
| Parameters | Value | Parameters | Value |
| Number of rings | Custom | Working temperature | -40°C ~ +65°C |
| Rated current | 2A,5A,10A,15A,20A | Working humidity | < 70% |
| Rated voltage | 0 ~ 240VAC/VDC | Protection level | IP54 |
| Insulation resistance | ≥1000MΩ@500VDC | Shell material | Aluminum Alloy |
| Insulation strength | 1500VAC@50Hz,60s,2mA | Electrical contact material | Precious metals |
| Dynamic resistance change value | < 10mΩ | Lead specification | Colored Teflon |
| Working speed | 0-600rpm | Lead length | 500mm+20mm |

DHK060 Series Recommend Products by Ingiant

| Item No. | Ring Number | 2A Length | 5A Length | 10A Length | 15A Length | 20A Length | 25A Length |
|------------|-------------|-----------|-----------|------------|------------|------------|------------|
| DHK060-6 | 6 | 43.4 | 44.6 | 46.4 | 49.4 | 52.4 | 55.4 |
| DHK060-12 | 12 | 55.4 | 57.8 | 61.4 | 67.4 | 73.4 | 79.4 |
| DHK060-18 | 18 | 67.4 | 71 | 76.4 | 85.4 | 94.4 | 103.4 |
| DHK060-24 | 24 | 79.4 | 84.2 | 91.4 | 103.4 | 115.4 | 127.4 |
| DHK060-30 | 30 | 91.4 | 97.4 | 106.4 | 121.4 | 136.4 | 151.4 |
| DHK060-36 | 36 | 103.4 | 110.6 | 121.4 | 139.4 | 157.4 | 175.4 |
| DHK060-42 | 42 | 115.4 | 123.8 | 136.4 | 157.4 | 178.4 | - |
| DHK060-48 | 48 | 127.4 | 137 | 151.4 | 175.4 | 199.4 | - |
| DHK060-54 | 54 | 139.4 | 150.2 | 166.4 | 193.4 | - | - |
| DHK060-60 | 60 | 151.4 | 163.4 | 181.4 | 211.4 | - | - |
| DHK060-66 | 66 | 163.4 | 176.6 | 196.4 | - | - | - |
| DHK060-72 | 72 | 175.4 | 189.8 | 211.4 | - | - | - |
| DHK060-78 | 78 | 187.4 | 203 | - | - | - | - |
| DHK060-84 | 84 | 199.4 | 216.2 | - | - | - | - |
| DHK060-90 | 90 | 211.4 | 229.4 | - | - | - | - |
| DHK060-96 | 96 | 223.4 | 242.6 | - | - | - | - |
| DHK060-102 | 102 | 235.4 | - | - | - | - | - |
| DHK060-108 | 108 | 247.4 | - | - | - | - | - |

Conductor Specification: 2A with AWG26# color Teflon conductor ,5A with AWG22# color Teflon conductor
 10A uses AWG18#color Teflon conductor (or AWG16# flexible color PVC insulated conductor)
 15A uses AWG16# color Teflon conductor (or AWG14# flexible color PVC insulated conductor)
 20A uses AWG14# color Teflon conductor.Length of product combinations with arbitrary number of